

MyuLight MKN-500

500W Xenon Light Source



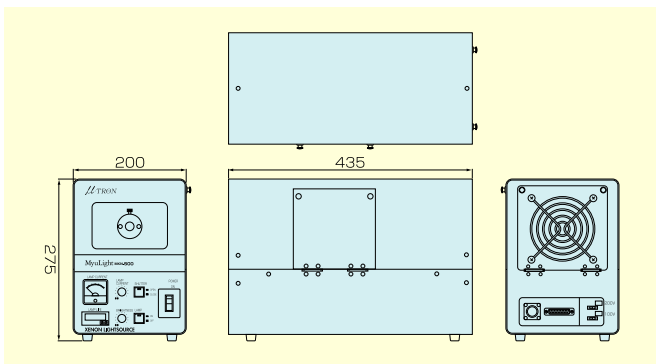
Stable wave length and excellent brightness

Input voltage AC100V - AC220V for world standard

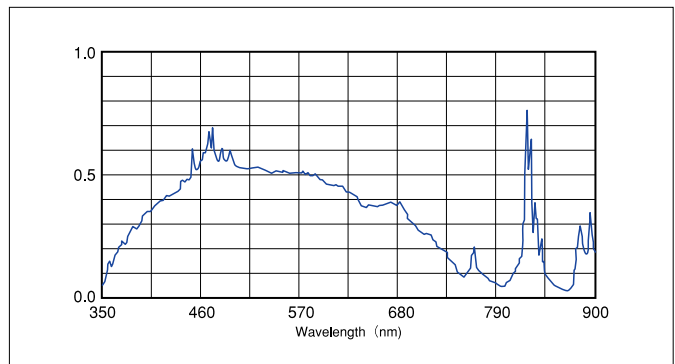
Features

- ① 500W xenon, Excellent intensity
- ② Mechanical mesh lighting adjustment and lamp current adjustment
- ③ Shutter unit is available as the option
- ④ Breath in the air from the front and breath out from the back panel, possible to install the light source side by side
- ⑤ Not necessary to adjust optical axis
- ⑥ Indicator of lamp life is on the front of device
- ⑦ Feedback function is available as the option

External Dimension Drawing



Wavelength graph



Specification

Model	MKN-500
Lamp	Short arc 500W xenon lamp
Input Voltage	AC100 - 120V or AC200 - 240 V (Switched by connector)
Power Consumption	650W (TYP)
Light intensity control method	Manual, Mechanical mesh *Option: 8 bit external digital light control
Average of Lamp Life	1200 hours* 1
Color Temperature	Approx. 6000°K
Luminosity	Over 900,000 Lux* 2
Condition of temperature for operation	5 - 40° (RT)
Condition of humidity for operation	20 - 80% (RH, No condensation)
Dimension	Above
Weight	Approx. 15 kg
Lamp for replacement	
Model	500K

*1 Average of lamp life is the value for test result, not guaranteed.
 *2 Luminosity is the value when light guide φ 5, L = 1m, is mounted at WD 100mm.

External remote Pin assignment for remote connector	
1 Lamp on output	14
2 NC	15
3 Alarm output	16
4 NC	17
5 Digital remote input (Bit 1)	18
6 Digital remote input (Bit 2)	19
7 Digital remote input (Bit 3)	20
8 Digital remote input (Bit 4)	21
9 Digital remote input (Bit 5)	22
10 Digital remote input (Bit 6)	23
11 Digital remote input (Bit 7)	24
12 Digital remote input (Bit 8)	25
13 Lamp on input	25

14-17: GND
 18-21: External remote power input (+12~24V input)
 22-23: NC
 24: Light control function panel/ Remote switch input

*Connector for device: Dsub-25P (Female socket)
 *Connector for plug: Dsub-25P (Male connector) .. attachment