

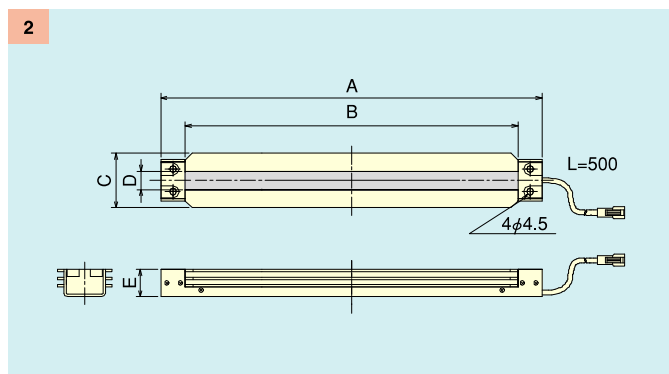
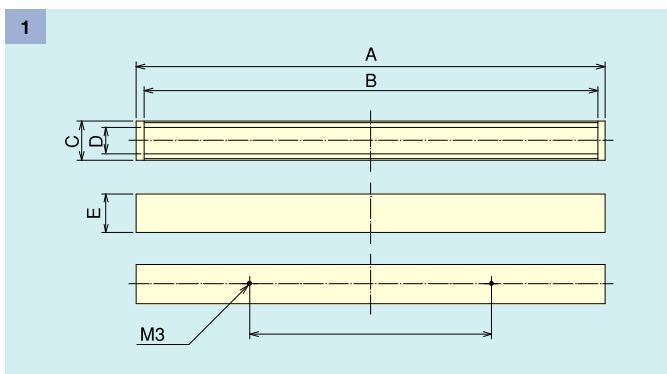
Lighting of Line Sensor

▶ The high evenness and high illuminance

- The bar lighting with high evenness specification for a line sensor camera.
- The chip LED of high illuminance is mounted, and thus a diffusing plate maintains the evenness.
- MDB-L is a bar lighting with evenness specification.
- To cope with the generation of heat, the case is covered with a resin aluminum heat sink.
- Suitable for the light-tilting and light-penetration.



External Dimension Drawing



Specification

Standard

Model	Color	Size					The Number of LED	Power Consumption	SAG Setting Value	Dimension
		A	B	C	D	E				
MDB-L300/20RS	Red	310	300	26	18	26	174	7.0	70	1
MDB-L300/20WS	White	310	300	26	18	26	174	7.0	***	
MDB-L600/20RS	Red	610	600	26	18	26	348	14.0	7A	
MDB-L600/20WS	White	610	600	26	18	26	348	14.0	***	
MDB-L900/20RS	Red	910	900	26	18	26	522	20.9	84	
MDB-L900/20WS	White	910	900	26	18	26	522	20.9	***	
MDB-L1200/20RS	Red	1210	1200	26	18	26	696	27.9	8E	
MDB-L1200/20WS	White	1210	1200	26	18	26	696	27.9	***	

High illuminance and evenness type

Model	Color	Size					The Number of LED	Power Consumption	SAG Setting Value	Dimension
		A	B	C	D	E				
MDB-L300/12HRS	Red	333	301	36	12	18	252	20.0	74	2
MDB-L300/12HWS	White	333	301	36	12	18	252	20.0	***	
MDB-L100/12HRS	Red	133	101	36	12	18	84	6.8	6A	
MDB-L100/12HWS	White	133	101	36	12	18	84	6.8	***	

*The number of holes and pitch are different, depended on the model number (Please ask us for further information).

* We also manufacture green, blue, and IR.