



XC-555
XC-555P

COLOUR VIDEO CAMERA MODULE

Component/OEM

The XC-555/555P are ultra-compact, integrated 1/2 type IT CCD colour cameras ideally suited for a wide variety of applications such as machine vision, multimedia and remote monitoring.



The cameras offer a single cable solution and are designed so that a video output signal can be obtained by only providing a power supply of 12 V DC. The ultra-compact, one-piece design eliminates the need for a bulky CCU (Camera Control Unit), allowing the XC-555/555P cameras to be easily installed in space-restricted areas. In addition, the XC-555/555P cameras use a unique, compact NF mount lens system that can be converted into a flexible C mount lens. The option to remove housing, remote CDD-block and remote rear connector circuit allows easy OEM integration. Furthermore, the XC-555/555P are highly functional DSP cameras that can be remotely controlled by RS-232C. The RS-232C interface allows the cameras to control various functions such as Shutter Speed, Red/Blue level, Pedestal, AGC and CCD IRIS. The rugged and robust construction and high image quality make the cameras suited for the most demanding applications.

Features

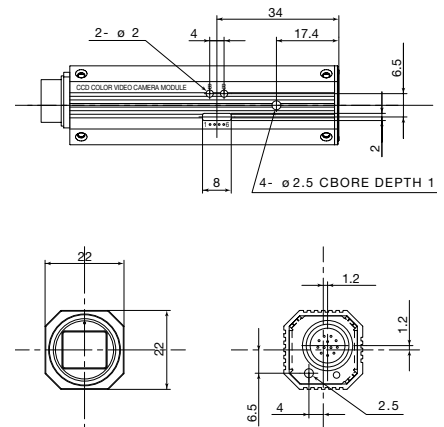
- 1/2 type IT CCD
- Ultra-compact and lightweight:
22 (H) x 22 (W) x 75 (D) mm, 60 g
(7/8 x 7/8 x 3 inches, 2.1 oz)
- One piece camera - no bulky CCU
- Compact NF lens and lens mount
- CCD IRIS function
- VBS and Y/C outputs
- External synchronisation HD/VD,
VS and CSYNC
- RS-232C interface to control
camera functions*1
- Camera settings can be saved
in non-volatile memory
- High shock and vibration resistance
- Single cable
- Reliable and rugged

www.sonybiz.net/vision

XC-555/55P SPECIFICATIONS

	XC-555 (NTSC)	XC-555P (PAL)
Image device	1/2 type IT CCD	
Colour filter	Complementary colour mosaic	
Effective picture elements	768 (H) x 494 (V)	752 (H) x 582 (V)
Lens mount	NF mount	
Sync system	Internal/External (switched automatically)	
External sync signal	HD/VD (2 to 4 Vp-p), 75 Ω VS (1 Vp-p), 75 Ω CSYNC (2 to 4 Vp-p), 75 Ω	
External sync frequency tolerance	VD/59.94 Hz ± 0.0009 Hz, HD/15734 Hz ± 0.22 Hz	VD/50 Hz ± 0.0005 Hz, HD/15625 Hz ± 0.22 Hz
Video output	VBS, Y/C (selected with the switch) VBS: 1 Vp-p, 75 Ω, sync negative Y: 1 Vp-p, 75 Ω C: C level depends on the composite video out signal	
Horizontal resolution	470 TV lines	460 TV lines
Minimum illumination	3 lx (F1.2, AGC ON)	
Sensitivity	2000 lx, F8, AGC OFF (0 dB)	
S/N ratio	48 dB (AGC OFF (0 dB))	46 dB (AGC OFF (0 dB))
Shutter speed	4 speeds selectable OFF, Flickerless, 1/1000 s, CCD iris	
CCD iris range	Auto: 1/60 to 1/4000 s RS-232C: 1/60 to 100000 s*1	Auto: 1/50 to 1/4000 s RS-232C: 1/50 to 100000 s
	Max speed is not guaranteed beyond 1/4000 s.	
White balance	4 modes selectable ATW, 3200 K, 5600 K, MANUAL	
Gain control	2 modes selectable AGC, Fixed (0 dB)	
Gamma	ON/OFF *Controlled by RS-232C	
Output connector	DC IN, SYNC, VIDEO: multi 12-pin	
Power requirement	10.5 to 15 V DC	
Power consumption	2.4 W	
Operating temperature	0 to 40°C (32 to 104 °F)	
Storage temperature	-30 to 60°C (-22 to 140 °F)	
Operation humidity	20 to 80 % (no condensation)	
Storage humidity	20 to 90 % (no condensation)	
Shock / vibration resistance	70 G / 10 G (20 – 200 Hz XYZ direction)	
Dimensions	22 (H) x 22 (W) x 75 (D) mm (7/8 x 7/8 x 3 inches)	
Mass	60 g (2.1 oz)	
Regulations	UL 6500 listed, FCC Class B Digital Device, CE EN61326, AS4251.1+AS4252.1	
Supplied accessories	Lens mount cap (1), Tripod adaptor (1 set), Operating Instructions (1)	

DIMENSIONS (mm)



PIN ASSIGNMENT (External sync.)

Pin No.	Name
1	Ground
2	+12 V
3	VBS/Y Output (GND)
4	VBS/Y Output
5	HD Input (GND)
6	HD Input
7	VD/VS/VBS Input
8	-/C Output (GND)
9	-/C Output
10	RS-232C (TXD)*1
11	RS-232C (RXD)*1
12	VD/VS/VBS Input (GND)

*1 The RS-232C switch is set to OFF at the factory. For details on how to change this setting, please refer to the Technical Manual.

Sony contacts

Sony Belgium (ICS) +32 2 724 18 24
 Sony France (ICS) +33 1 55 90 41 58
 Sony Germany (ICS) +49 221 537 8923
 Sony Italy (ICS) +39 02 61 83 84 06
 Sony Netherlands (ICS) +31 20 658 1502
 Sony Nordic (ICS) +46 40 19 08 06
 Sony Spain (ICS) +34 902 41 51 61
 Sony UK (ICS) +44 1932 816 340

SONY

www.sonybiz.net/vision

SONY BROADCAST & PROFESSIONAL EUROPE

Sony is a registered trademark of the Sony corporation, Japan. Design, features and specifications are subject to change without notice. All non-metric weights and measures are approximate.

Sony and CCD iris are trademarks of Sony.
 PDF-XC-555/P/GB-10/05/2002